

WHAT'S SO COOL ABOUT THE JABRA BT125?

Compact and functional design

Bendy earhook – shapes to every ear

Lightweight, only 14 grams

Easy to pair and operate

Up to 8 hours talk time and up to 170 hours standby time*

STAND UP. BREAK OUT. GO FURTHER. RELEASE

YOUR

JABRA



Features and Specifications

- Weighs 14 g
- L51 mm x W24 mm x D21 mm
- Light indicator (LED) for status on Bluetooth, battery and charging
- Up to 8 hours talk time and up to 170 hours standby time*
- Answer/end call
- Voice dialing*
- Reject a call*
- Put a call on hold*
- Call waiting*
- Last number redial*
- Bluetooth 2.0 supporting headset and hands-free profile

* Phone dependent

Freephone customer support numbers:

Denmark: 70252272
Finland: 00800 722 52272
Italy: 800 786543
Norway: 800 61272
Spain: 900 984 542
Sweden: 020792522
UK: 0800 0327026

E-mail: support.no@jabra.com
E-mail: support.no@jabra.com
E-mail: support.it@jabra.com
E-mail: support.no@jabra.com
E-mail: support.es@jabra.com
E-mail: support.no@jabra.com
E-mail: support.uk@jabra.com

Jabra
BT 125

Compact and functional design

Easy to pair and operate

Weighs only 14 grams

Bluetooth



M04_BT125_01_08/06

Bluetooth® headset for mobile phones

RELEASE YOUR JABRA

Jabra

* Phone dependent

© 2006 Jabra, GN Netcom A/S. All rights reserved. Jabra® is a registered trademark of GN Netcom A/S. All other trademarks included herein are the property of their respective owners. The Bluetooth® word mark and logos are owned by the Bluetooth SIG, Inc. and any use of such marks by GN Netcom A/S is under license. (Design and specifications subject to change without notice)

www.jabra.com



Jabra BT125



Get more done. Talk hands-free.

Keep your hands free

Jabra now introduces the Jabra BT125 – a discreet wireless headset for Bluetooth mobile phones. The headset lets you get on with your talking and keep both hands free for whatever else you need them for.

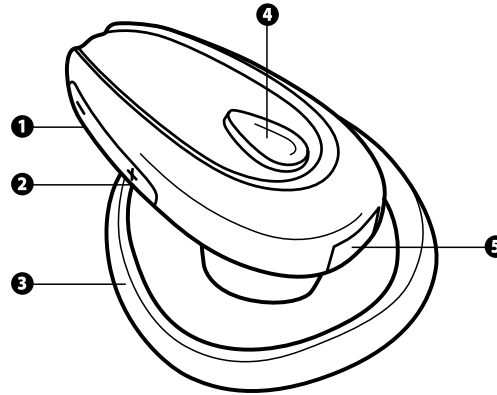
Keep on moving

The Jabra BT125 is the ideal accessory when multi-tasking is the order of the day. You can get on with your jobs and make and take your phone-calls without losing the use of one all-important hand! And when you're in the car, tackling town with a toddler at your side, or even just making a cup of coffee or ironing your shirt – you can keep on talking without compromising on safety.

Making it simpler

The Jabra BT125 is so light and comfortable that you'll hardly notice you're wearing it. And its design is so functional, you'll rarely ever have to touch your mobile phone. What's more, it couldn't be easier to pair and operate (see quick start guide).

Take life in both hands. Release your Jabra.



1

Volume up

Turn up the volume without accessing your mobile phone

2

Volume down

Turn down the volume without accessing your mobile phone

3

Adjustable contoured earhook

Wear over either ear for maximum comfort

4

Light indicator (LED)/Answer/end button

Shows status on Bluetooth, battery and charging

5

Charging socket

Easy charging with AC power supply provided

Quick start guide

Pairing the Jabra BT125 to a Bluetooth mobile phone

1. Charge your Jabra BT125 until the solid blue LED **4** turns off (approximately 2 hours)
2. Make sure the Jabra BT125 is switched off
3. To put the Jabra BT125 in pairing mode, press and hold the answer/end button **4** until the LED stops flashing and turns solid blue
4. Set your mobile phone to "discover" the Jabra BT125 (see your phone user guide)
5. Press Yes or OK when asked if you want to pair the phone with the Jabra BT125
6. Enter passkey or PIN = 0000 (4 zeros), then press Yes or OK
7. Your phone will confirm when pairing is complete and your headset will flash

Making a call

When you make a call from your mobile phone, the call will automatically transfer to your headset (subject to phone settings).

Answering and ending a call

Tap the answer/end button on your headset to answer a call. To end your call, just tap the answer/end button again.

Change wearing style

The Jabra BT125 is ready to wear on your right ear. If you prefer the left, gently pull out the earhook, rotate 180°, and insert.